

# TPM500

## TRIPLE PLAY MODULE



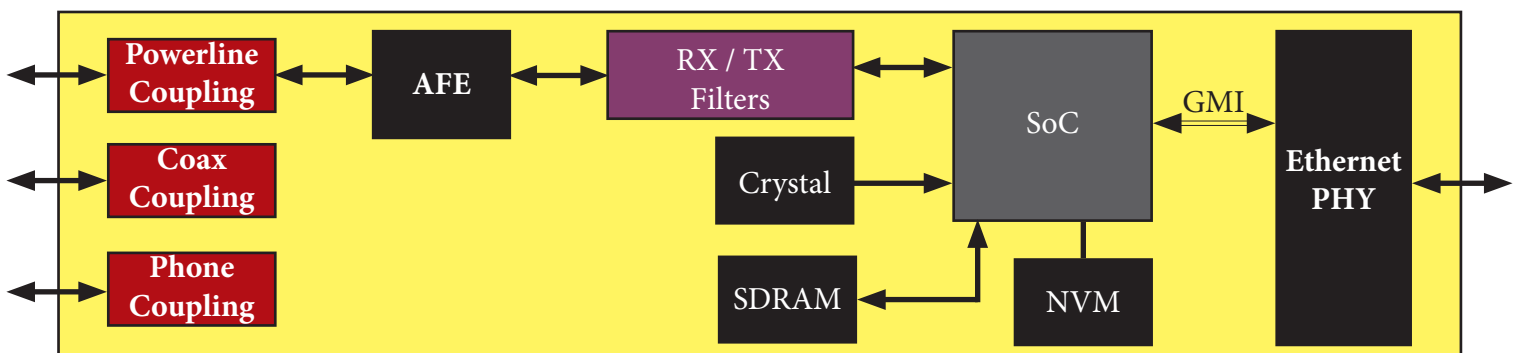
### MAIN FEATURES

- Supports “AnyWire” Home Networking using the existing Powerline, Phoneline and Coax
- Providing actual TCP data throughput of up to
  - 250Mbps over Powerline
  - 300Mbps over Phoneline
  - 350Mbps over Coax
- Fully integrated and compatible with HomePlug AV
- 128-bit AES Link Encryption
- Advanced turbo code forward error correction
- ToS, CoS and IP port number packet classifiers
- Supports IGMP managed multicast sessions
- Green standard (ROHS) compliant
- GPIO second function as general data lines
- Flash programming via host interface supports ease of manufacture and firmware upgradability
- 48 pins module and low power consumption package

### APPLICATIONS

- Set-Top Boxes
- Home Networking Adapters
- Broadband Gateways & Routers
- Ethernet over Coax
- PON ONT's

### BLOCK DIAGRAM



### PRODUCT OVERVIEW

The patented TPM500 is a Triple Play Module which supports blazing speeds of up to 500Mbps PHY rate for IP entertainment networking over “Any Wire” in the home. The TPM500 module is based on the HomePlug AV standard which supports demanding bandwidth applications over the Powerline, Telephone and Coaxial wiring. The TPM500 incorporates Baseband/AFE ICs and CPU, with minimal support circuitry to provide a single module solution for high speed IP entertainment networking applications (IPTV, VoIP and Data) over all the existing infrastructures simultaneously.

### TECHNOLOGY OVERVIEW

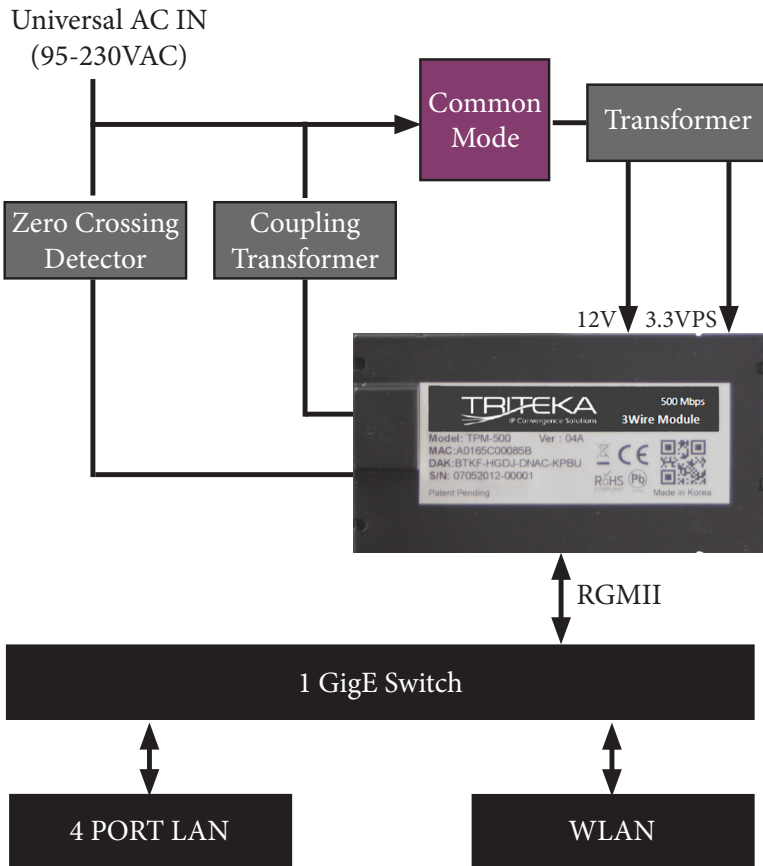
Triteka is committed to addressing the dramatically expanding connectivity requirements of the digital entertainment home. The TPM500 is the latest and fastest in home entertainment network solutions and is IEEE 1901 and HomplugAV compliant. This next generation HomePlug AV-based module delivers carrier grade broadband communications over all 3 existing infrastructures in the home (powerline, phoneline and coax).

For consumers and service providers using all 3 mediums, the TPM500 module enables a fast & reliable wired network without the need to install new wires. It performs the best over the coax with up to 700 Mbps PHY rate.

# TPM500

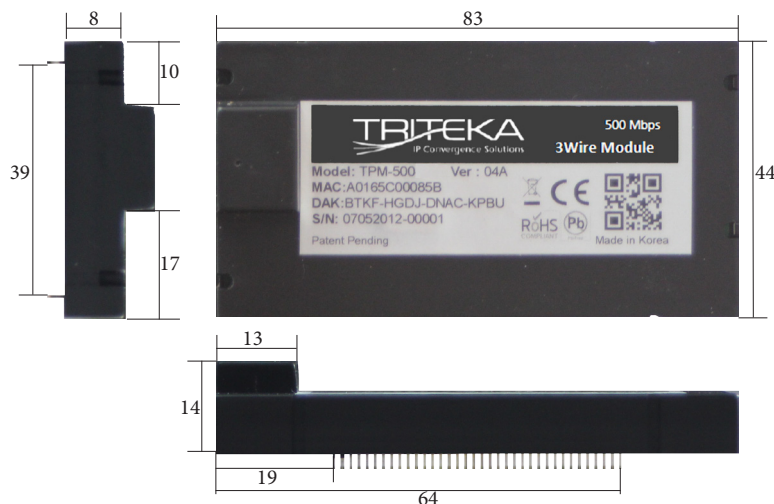
## TRIPLE PLAY MODULE

### TYPICAL APPLICATIONS



### MECHANICAL DIMENSIONS

Dimensions in mm



### SPECIFICATIONS

Frequency Band	2 - 68 MHz
Network Standard	IEEE 1901 and HomePlug AV
Modulation Technology	Windowed OFDM
FEC Coding	Turbo Code
Hardware Encryption	AES 128-bit
Quality of Service	VLAN/ToS/Packet Classifier/ Quasi Error Free Delivery for IPTV service
Communications Interface	RGMII
Supported Data Rates	500 Mbps PHY rate
Low Power Design	Supported EuP Low Power
Customization Functionality	LED and Programmable switch
Security	Supports "Simple Connect" with Push Button Encryption and Network Management Key
Diagnostic and Management Interface	Home Plug AV generic and vendor specific Management Message Entries (MME) TR-069 Remote Management
Worldwide Regulatory Support	Programmable Power Amplitude adjustments

### PRODUCT ORDERING INFORMATION

MODEL	DESCRIPTION
TPM-500-3WR	Residential 3Wire (PLC, Coax and Phone)
TPM-500-EOC	Residential Coax only
TPM-500-MDU	Enterprise Coax only

#### IMPORTANT NOTE:

Model TPM-500-MDU is designed for MDU applications and configured to Slave mode. In Slave mode, a separate Tritеka Gateway unit (EOC-500-GW) at the ISP point of entry is required. Devices with a Slave configured module TPM-500-MDU don't see each other.

#### PLEASE NOTE:

When ordering you must specify the destination region by indicating -US -EU -AUS -UK or -JPN following the model number.

# IP CONVERGENCE